

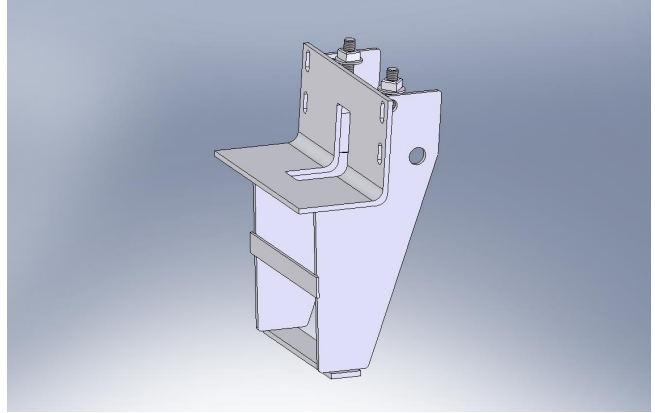
Helical Anchor Accessories

We can make just about anything!



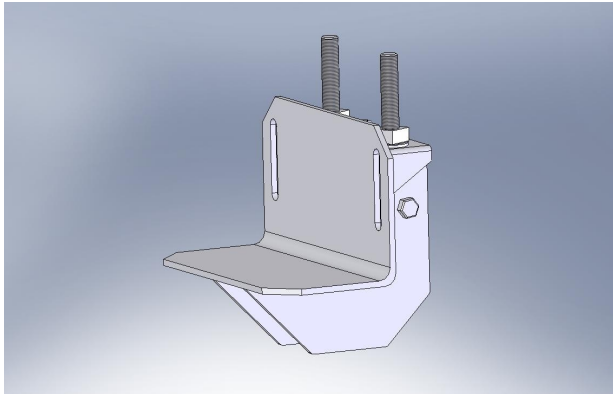
UNDERPINNING BRACKET

For stabilizing/lifting repairs of existing foundations. Anchor bolts hold bracket to footing. Load is then transferred to anchor.



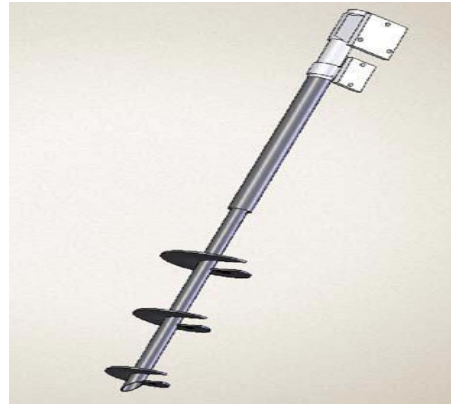
HEAVY DUTY BRACKET

Used for commercial buildings and industrial size loads.



LIGHT DUTY BRACKET

Used for a variety of applications for lighter structures.



HELICAL RETENTION CAP

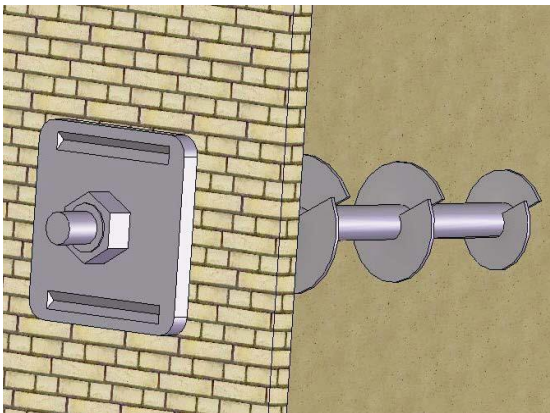
Attached to helicals for moorings and float docks.



NEW CONSTRUCTION BRACKET Place on foundation anchors for support of new structures. Tied to reinforcing bars prior to concrete being poured.

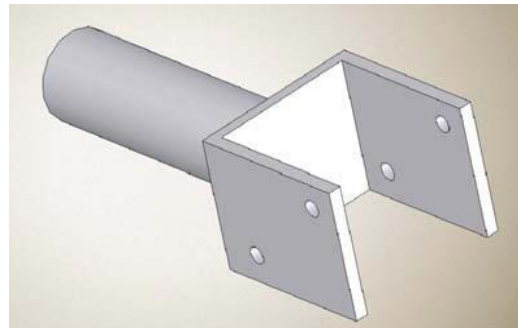


NEW CONSTRUCTION CAP Place on foundation anchors for support of new structures. Tied to reinforcing bars prior to concrete being poured. Available in 6", 8", 10", and 12" square.



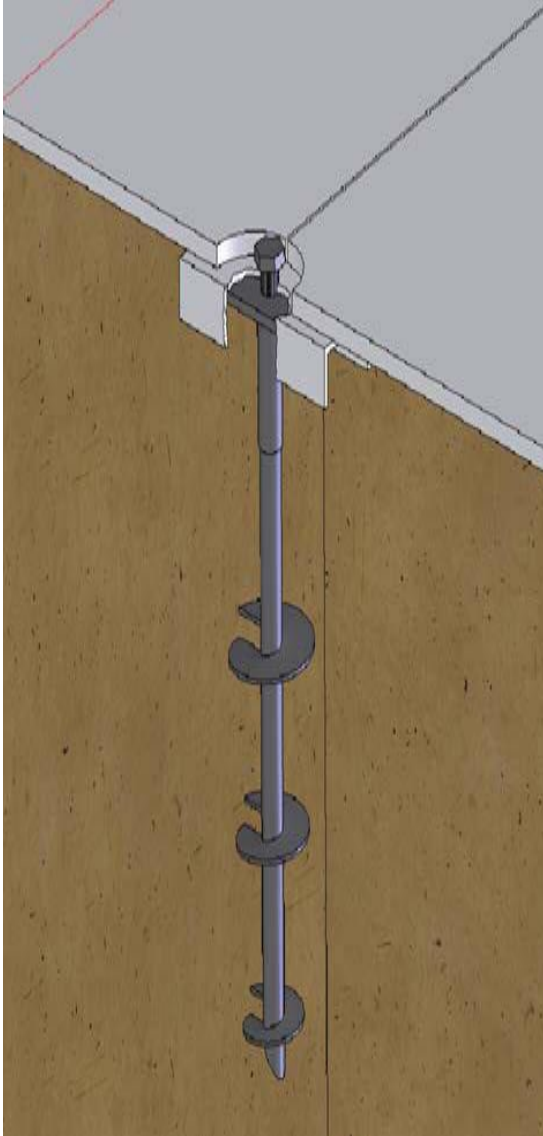
TIE BACK PACKAGE

Includes coupler, screw tightening system and wall plate.



BEAM SUPPORT BRACKET

Available in multiple sizes to accommodate beams of boardwalks, walkways, manufactured homes, etc.



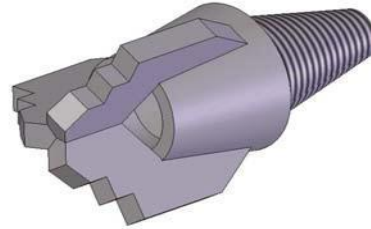
FLOOR SLAB SUPPORT SYSTEM

System includes coupler, thread bar, and support plate.



QUICK CLIP

Eliminates slow and clumsy nut and bolt assemblies. No generator, wrenches or sockets required, simply pound them in and run.



FROST DEVIL BIT

Unique add-on bit to ensure anchor placement to depth in hard ground conditions (wood debris, frost, gravels, etc.)