

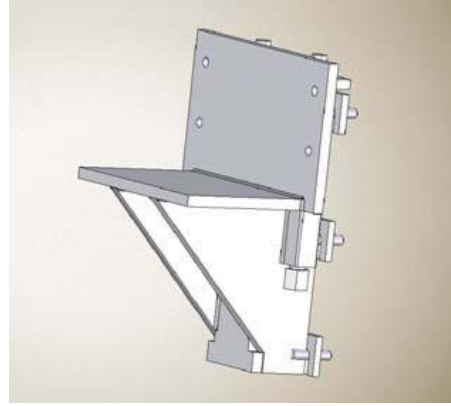
# Helical Anchor Accessories

We can make just about anything!



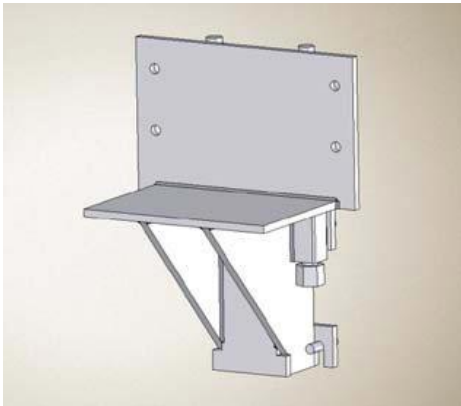
## UNDERPINNING BRACKET

For stabilizing/lifting repairs of existing foundations. Anchor bolts hold bracket to footing. Load is then transferred to anchor.



## HEAVY DUTY BRACKET

Used for commercial buildings and industrial size loads.



## LIGHT DUTY BRACKET

Used for a variety of applications for lighter structures.



## HELICAL RETENTION CAP

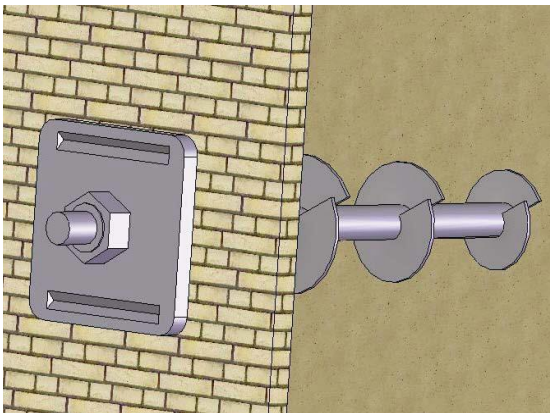
Attached to helicals for moorings and float docks.



**NEW CONSTRUCTION BRACKET** Place on foundation anchors for support of new structures. Tied to reinforcing bars prior to concrete being poured.

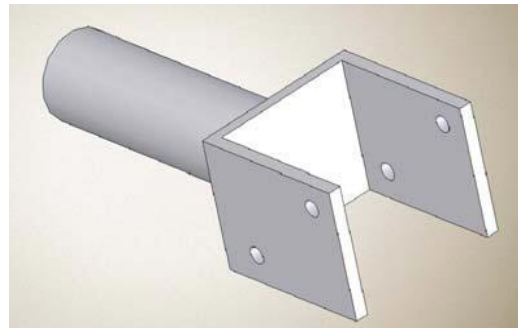


**NEW CONSTRUCTION CAP** Place on foundation anchors for support of new structures. Tied to reinforcing bars prior to concrete being poured. Available in 6", 8", 10", and 12" square.



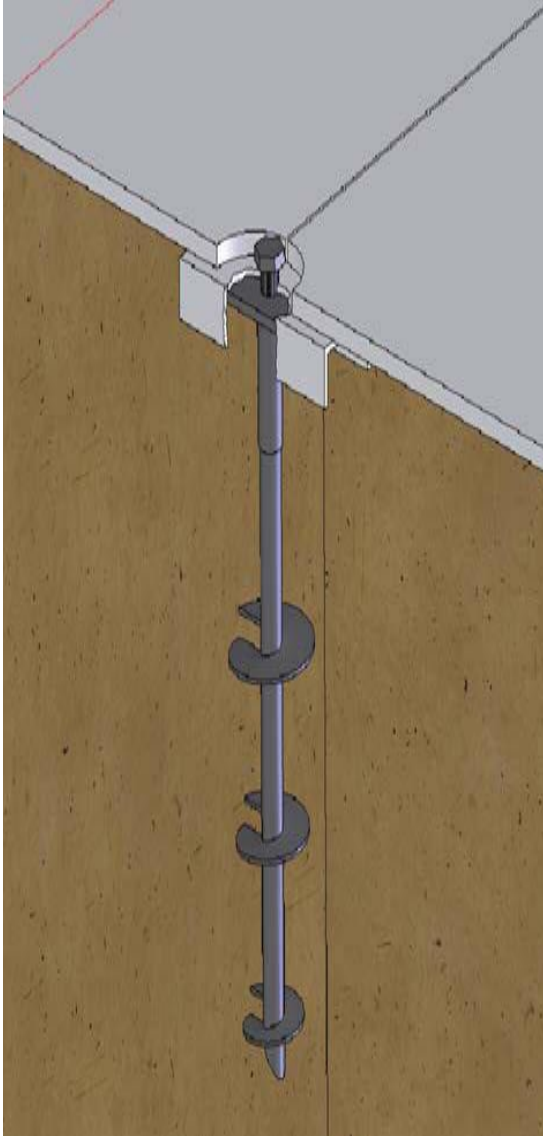
### **TIE BACK PACKAGE**

Includes coupler, screw tightening system and wall plate.



### **BEAM SUPPORT BRACKET**

Available in multiple sizes to accommodate beams of boardwalks, walkways, manufactured homes, etc.



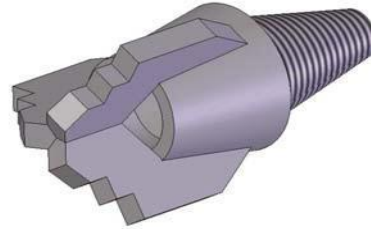
### **FLOOR SLAB SUPPORT SYSTEM**

System includes coupler, thread bar, and support plate.



### **QUICK CLIP**

Eliminates slow and clumsy nut and bolt assemblies. No generator, wrenches or sockets required, simply pound them in and run.



### **FROST DEVIL BIT**

Unique add-on bit to ensure anchor placement to depth in hard ground conditions (wood debris, frost, gravels, etc.)